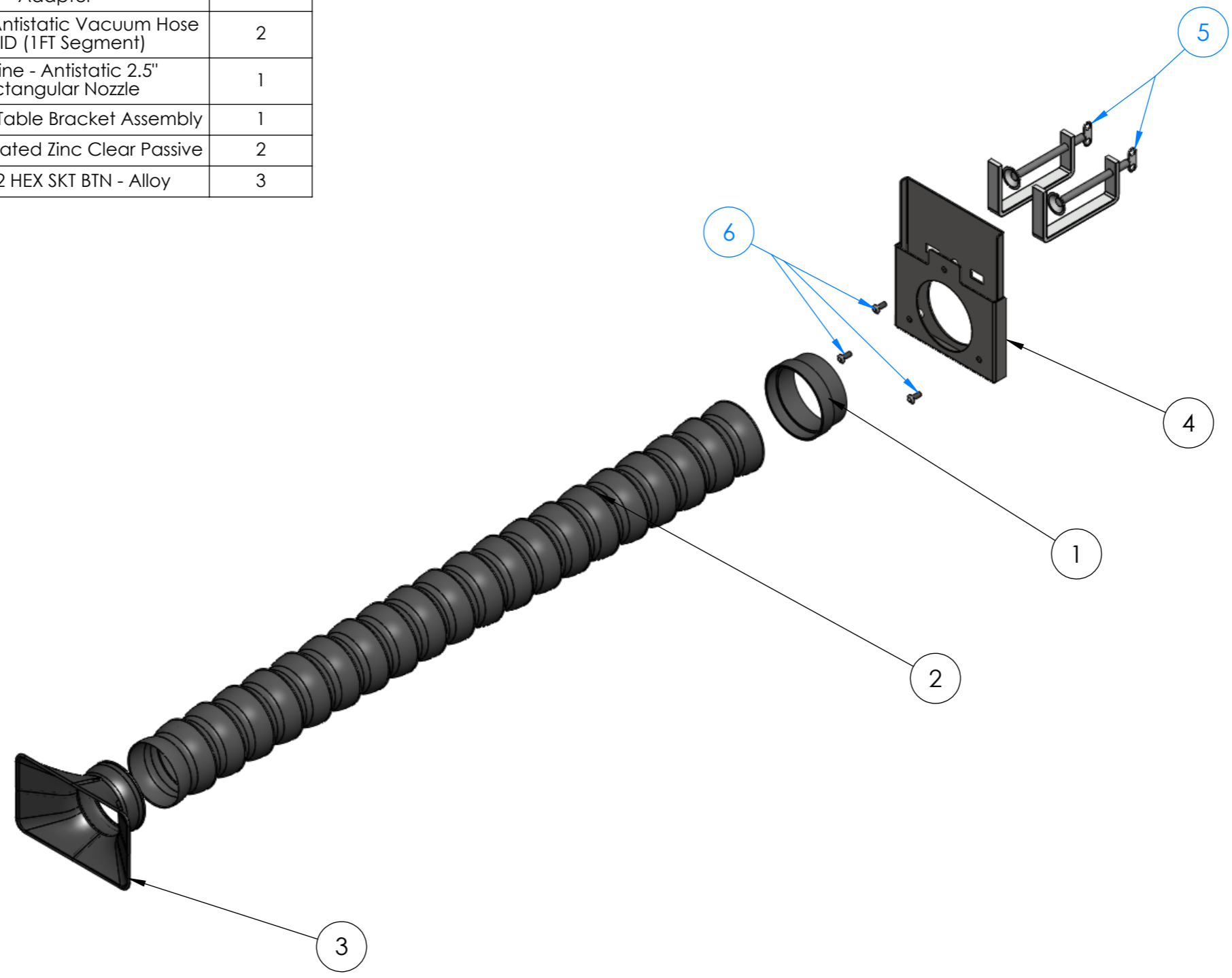


BOFA BOM			
ITEM NO.	PART NUMBER	DESCRIPTION	QTY.
1	P1100149	Loc-Line Antistatic 3" Sheetmetal Adaptor	1
2	P1100148	Loc-Line Antistatic Vacuum Hose 2.5" ID (1FT Segment)	2
3	P1100152	Loc Line - Antistatic 2.5" Rectangular Nozzle	1
4	P0101388	Loc Line - Table Bracket Assembly	1
5	P0103075	Clamp - plated Zinc Clear Passive	2
6	P0801070	M5 x 12 HEX SKT BTN - Alloy	3



**RELEASED**

ECN	REV	CREATED BY	APPROVED BY	DATE	DETAILS
0370	01	J.C.	R.B.	29/04/2019	CHANGED TO M5 FIXINGS
N/A.	00-A	J.C.	R.B.	22/08/2018	UPDATED DRAWING SHEET
ISTREL	00	C.C.			ORIGINAL

<small>THIS DOCUMENT IS THE PROPERTY OF BOFA INTERNATIONAL LTD. NO INFORMATION CONTAINED HEREIN MAY BE REPRODUCED OR DISCLOSED IN PART OR IN FULL WITHOUT THE EXPRESS WRITTEN CONSENT OF BOFA.</small>		<b>600mm Loc Line Arm, Table Bracket, &amp; Rectangular Nozzle</b>			
		ORIGINAL BY: Callum Courtney	DRG No: <b>A1020433</b>		
<small>UNLESS OTHERWISE SPECIFIED:          • ALL DIMENSIONS IN mm          • DO NOT SCALE          • WELD SYMBOLS ON DRAWING CONFORM TO ISO 2553 - SYSTEM A          • DEBURR AND BREAK SHARP EDGES IF IN DOUBT ASK</small>		MAT'L: See Part Files ISSUE NUMBER: 01 DATE OF ISSUE: 29/04/2019	SHEET 1 OF 1 SCALE: 1:5	<small>3RD. ANGLE PROJECTION</small> 	SHEET SIZE: A3